

BERGOR



STREET FLUSHER PARTS

**NORTH-AMERICAN MADE
QUALITY PARTS**



1-800-363-8218

STREET FLUSHER - Terms and Conditions

CREDIT CARDS

We accept the following credit cards:

We also accept direct payment.



TERMS

BERGOR offers terms of net 30 days for most clients that have an account and that have a satisfactory history of payments. The first order will need to be paid in advance or at delivery of goods.

TRANSPORT

Freight charges for delivery to client will be prepaid and added to invoice unless special arrangement is made at time of order. If a part is needed urgently, special delivery from manufacturer to BERGOR and/or to client will be added to invoice.

DAMMAGES DURING TRANSPORTATION

You will need to inspect the merchandise upon reception. If there are damages, advise driver and make a claim to the delivery service.

INVENTORY

Inventory levels fluctuate every day. Delivery of all parts that need to be manufactured and/or purchased specially for your order will be quoted in days. We will not be responsible for additional delays caused by our suppliers, delivery services or customs. Prices are subject to change without notice.

RETURN OF GOODS

You will need an authorization to return goods. The return number we will give you will have to be on the packaging of the returned goods. If we receive goods without a return authorization number, we will return them to you at your cost. Restocking charges of 15% will apply if you return goods because of an error you made when ordering. All special orders are final and goods cannot be returned.

STREET FLUSHER - VACPAR® Parts

VACPAR® (Registered trade name by BERGOR)

The VACPAR® parts are manufactured exclusively for BERGOR to strict specifications of interchangeability to assure supply of quality parts readily available and at the right price.



1555A Chicoine
Vaudreuil-Dorion, (Quebec), J7V8P2
(450)424-0801, (1-800)363-8218
FAX (450)510-2075



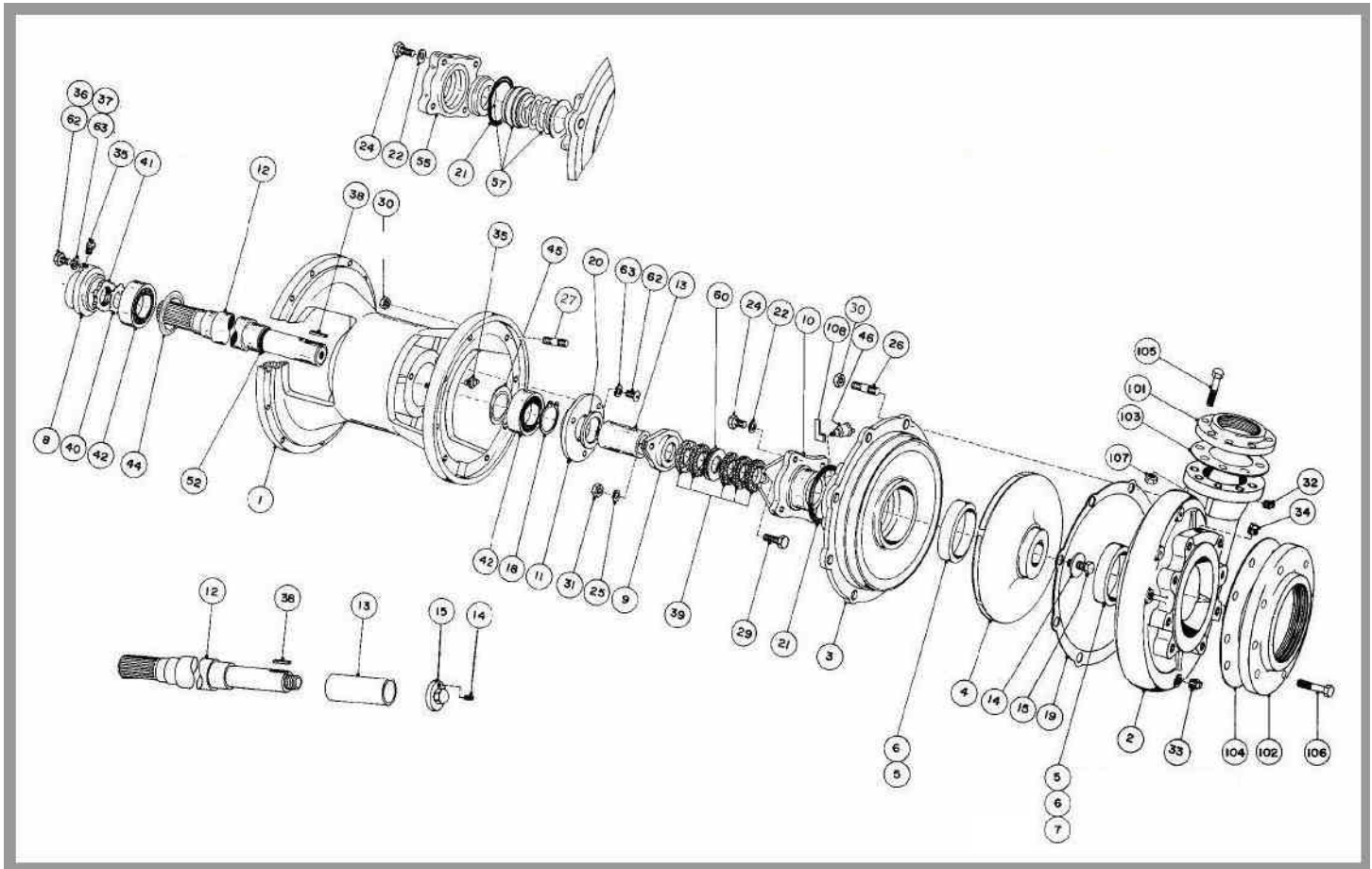
INDEX

<u>DESCRIPTION</u>	<u>Page</u>
Monarch® pump parts	1 , 2
Berkeley® pumps	3
Berkeley® pumps and parts	4 , 5
Valves	6
Water nozzles	7
Cast iron fittings and collars	8
Pumps and engines	9
Joints for flusher arms	10

Quality aftermarket replacement parts

Any numbers, names, symbols and descriptions in this book are for reference purposes only and in no way indicate these parts are manufactured by original manufacturer.

Monarch® Pumps



<u>Item</u>	<u>Part Number</u>	<u>Description</u>
1	VP427070	Adaptor SAE 4
2	VP426531	Casing
3	VP486850	Adaptor
4	VP426542	Impeller
5	VP426550	Wear ring
6	VP426930	Wear ring
8	VP426740	End cover
9	VP426620	Split water gland
10	VP426900	Stuffing box
11	VP419980	Cover
12	VP433793	Shaft
13	VP400254	Sleeve
14	VP400104	Washer
15	VP226641	Bolt
18	VP138100	Retain ring

Quality aftermarket replacement parts

Any numbers, names, symbols and descriptions in this book are for reference purposes only and in no way indicate these parts are manufactured by original manufacturer.



Monarch Pump

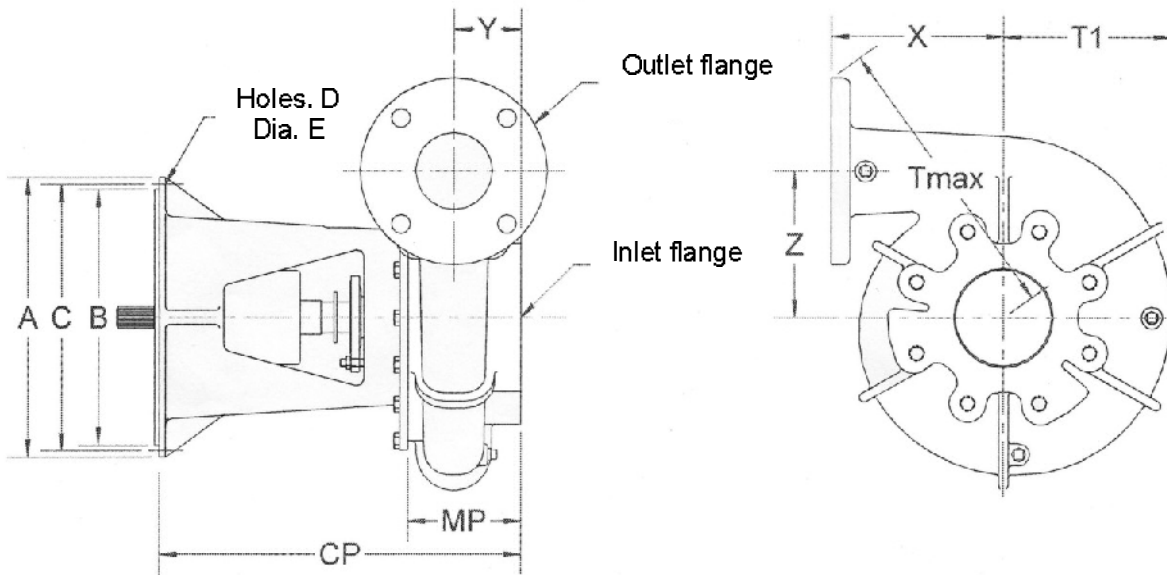
<u>Item</u>	<u>Part Number</u>	<u>Description</u>
19	VP191920	Gasket
20	VPo191950	Flinger
21	VP198740	"O" ring
22	VP176540	Spring washer
24	VP120020	Bolt
25	VP174986	Plain washer
26	VP170641	Stud
27	VP165251	Stud
29	VP226260	Bolt
30	VP227850	Hex nut
31	VP227830	Hex nut
32	VP185620	Pipe plug
33	VP185630	Pipe plug
34	VP185640	Pipe plug
35	VP110680	1/8" Str. grease fitting
38	VP422312	Key
39	VP432260	3/8" X 3/8" Packing
40	VP111200	Bearing lock washer
41	VP110800	Bearing lock nut
42	VP110060	Ball bearing
44	VP110011	Nilos ring
45	VP110002	Nilos ring
46	VP110640	Spring loaded grease cup
52	VP198010	"O" ring
55	VP400257	Seal seat cover
57	VP240120	Mechanical seal
60	VP430500	Lantern ring
62	VP11978	Bolt
63	VP176530	Spring washer
101	VP400750	Flange
102	VP400760	Flange
103	VP190910	Gasket
104	VP191910	Gasket
105	VP125072	Bolt
106	VP125040	Bolt
107	VP128470	Hex nut
108	VP189730	Fitting elbow

Quality aftermarket replacement parts

Any numbers, names, symbols and descriptions in this book are for reference purposes only and in no way indicate these parts are manufactured by original manufacturer.

Berkeley® Pump

Model	SAE No.	Fittings
VP B3ZQM	4	FLG



NOTE : Dimensions in inches . Typical drawing NOT to scale.

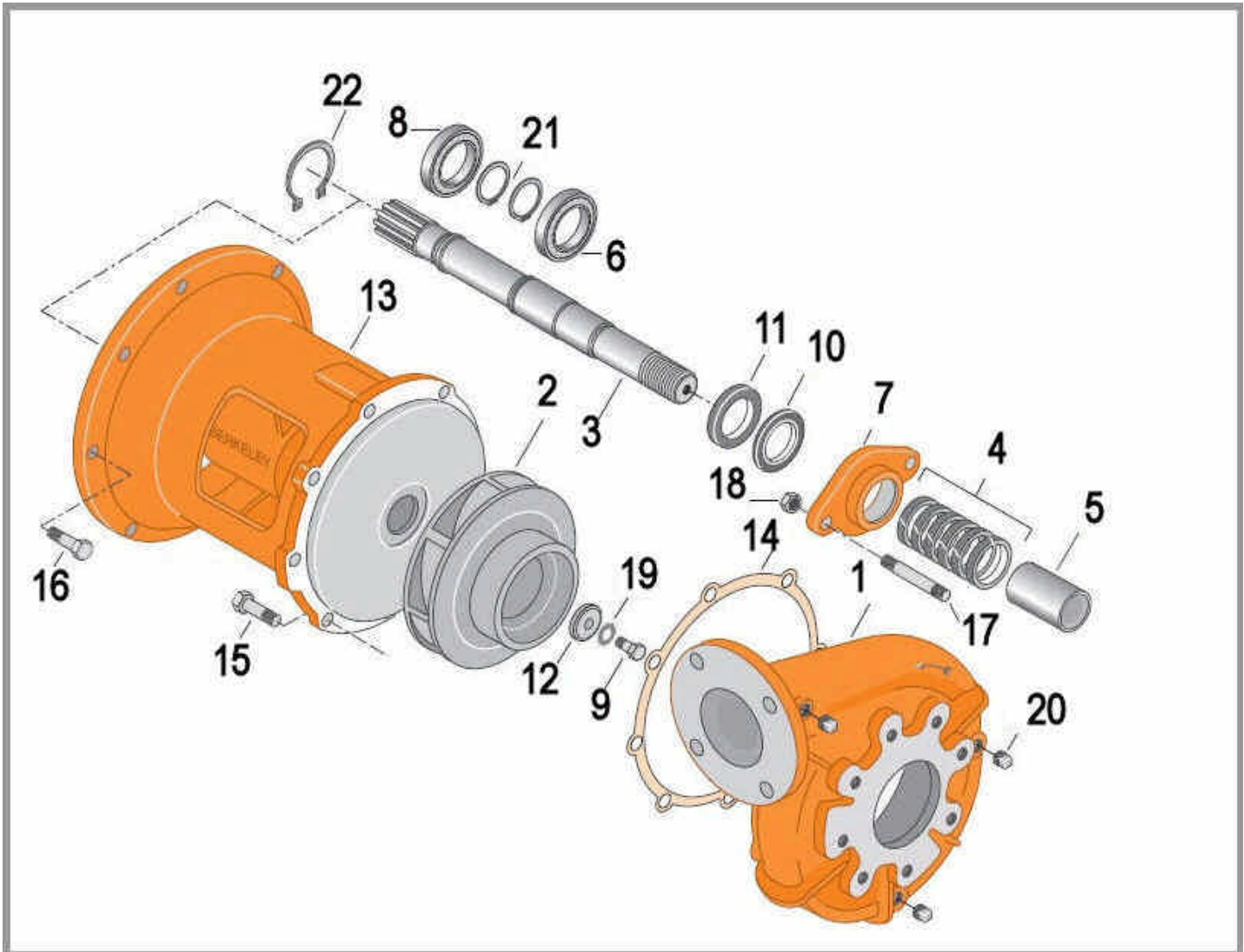
A	B	C	D	E	CP	MP	Tmax	T1	X	Y	Z	Suct	Disch
15.88	14.25	15.00	12	0.44	14.93	4.40	11.87	6.72	6.88	2.68	5.88	4	3

Part Number
VPB3ZQM

Quality aftermarket replacement parts

Any numbers, names, symbols and descriptions in this book are for reference purposes only and in no way indicate these parts are manufactured by original manufacturer.

Berkeley® Pump



<u>Item</u>	<u>Part number</u>	<u>Description</u>
1	VPH05130	Impeller casing
2	VPM02153	Impeller
3	VPM04154	Shaft
4	VPS14022	Ring (6 per kit)
5	VPS05127	Bushing
6	VPS13270	Ball bearing
7	VPS04948	Split water gland
8	VPS14059	Ball bearing

Quality aftermarket replacement parts

Any numbers, names, symbols and descriptions in this book are for reference purposes only and in no way indicate these parts are manufactured by original manufacturer.



Berkeley® Pump

<u>Item</u>	<u>Part Number</u>	<u>Description</u>
9	VPS23566	Impeller bolt
10	VPS12260	Water slinger
11	VPS14762	Seal, oil
12	VPS06314	Washer
13	VPH00925	Casing
14	VPS05126	Gasket
15	VPS26826	Hex bolt 3/8"-16 X 1" (8)
16	VPS26828	Hex bolt 3/8"-16 X 1-1/4" (12)
17	VPS04439	Stud (2)
18	VPS23343	Hex bolt 3/8"-16 (2)
19	VPS23036	Washer
20	VPS23715	Pipe plug (3)
21	VPS23010	Retain ring (2)
22	VPS23652	Retain ring

Quality aftermarket replacement parts

Any numbers, names, symbols and descriptions in this book are for reference purposes only and in no way indicate these parts are manufactured by original manufacturer.



VALVES

Valve 2½"



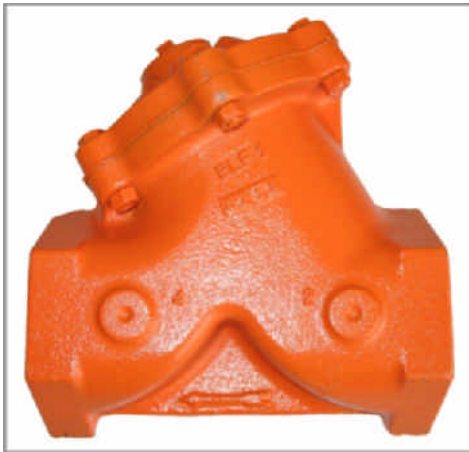
VP7100KH2.5

Valve 3"



VP7100KH3

Valves 2½" and 3"



VPV42-2.5
VPV42-3

Valve for hydrant

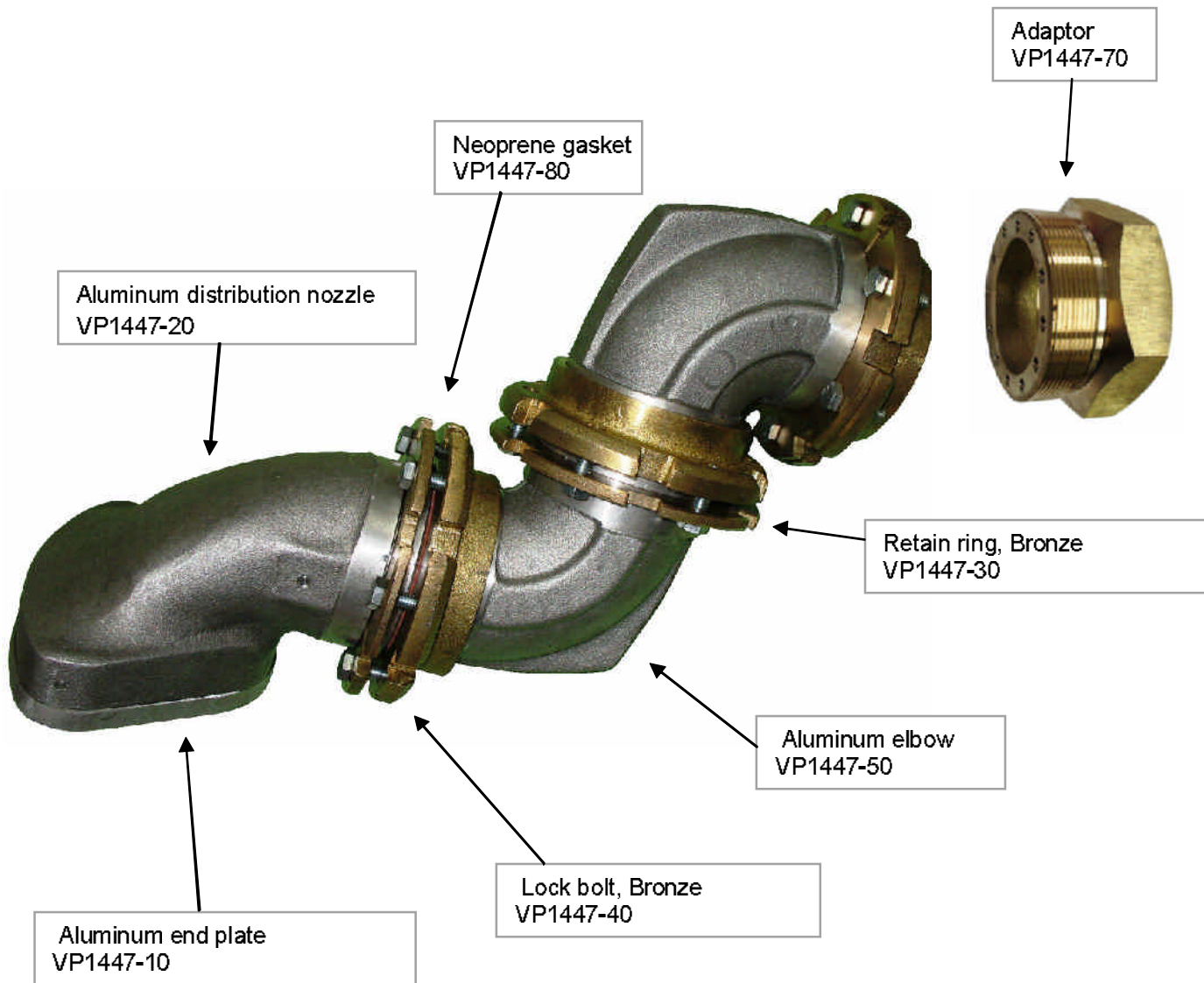


VP1040-2.5-CSA
VP1040-2.5-QST

Quality aftermarket replacement parts

Any numbers, names, symbols and descriptions in this book are for reference purposes only and in no way indicate these parts are manufactured by original manufacturer.

Water nozzle



Quality aftermarket replacement parts

Any numbers, names, symbols and descriptions in this book are for reference purposes only and in no way indicate these parts are manufactured by original manufacturer.



Cast fittings and Vitaulic® collars



Spline adaptor
45°



Spline adaptor
90°



Plug



Coupling
7000



Quick coupling



Reducer coupling



Coupling
zero-flex
#7401



Coupling joint



Barbed fitting



Straight threaded
pipe



Threaded pipe
male 45°



Threaded pipe
male 90°



"T" Spline
adaptor

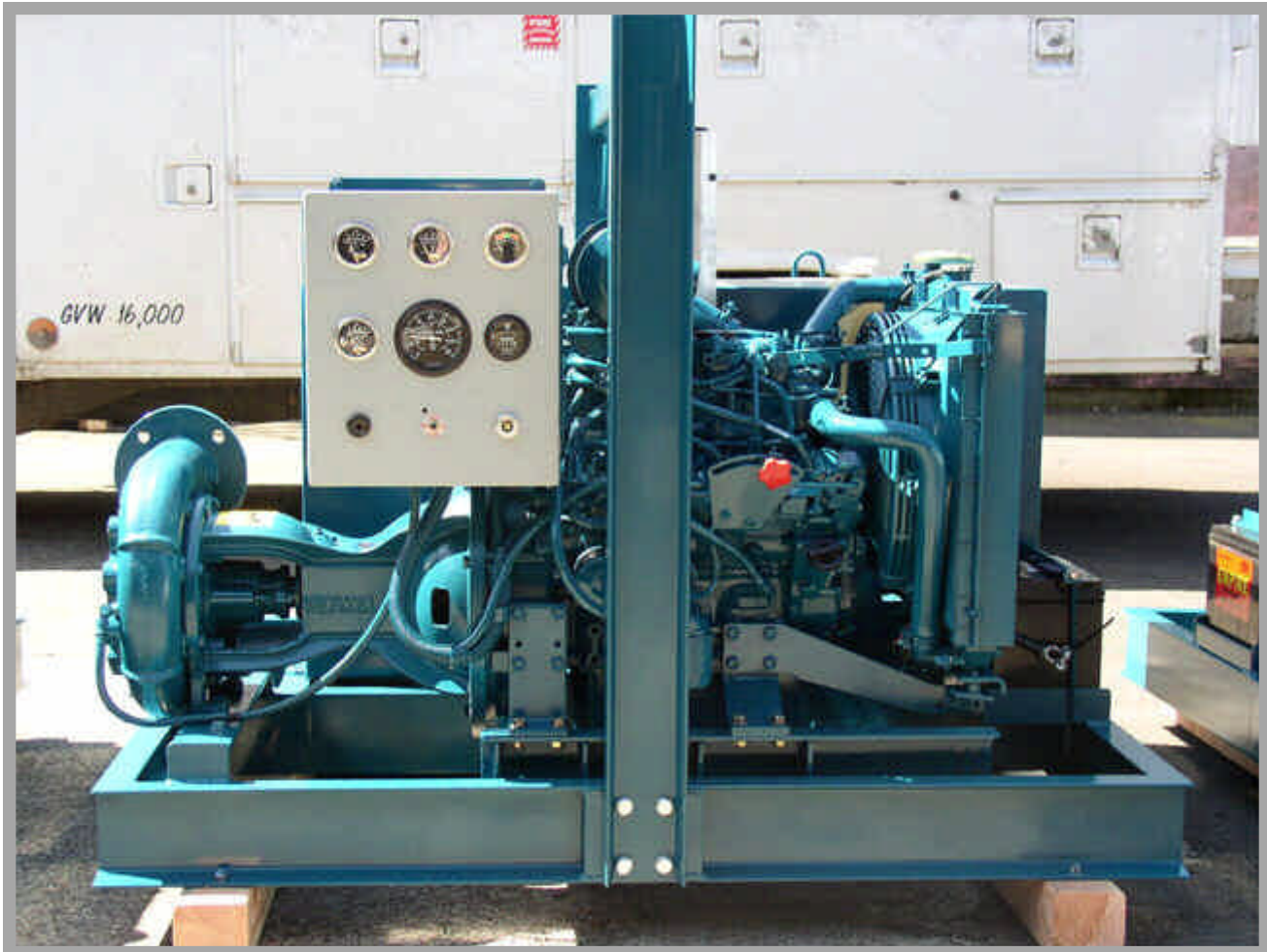


Weld bushing
SCH40

Quality aftermarket replacement parts

Any numbers, names, symbols and descriptions in this book are for reference purposes only and in no way indicate these parts are manufactured by original manufacturer.

Engine and pump assembly



Quality aftermarket replacement parts

Any numbers, names, symbols and descriptions in this book are for reference purposes only and in no way indicate these parts are manufactured by original manufacturer.

Flusher arm swivel joint



VP-9930-4210

Quality aftermarket replacement parts

Any numbers, names, symbols and descriptions in this book are for reference purposes only and in no way indicate these parts are manufactured by original manufacturer.



Hose reel built to your specifications



Large flow valve and nozzle



Water canon, all sizes

Quality aftermarket replacement parts

Any numbers, names, symbols and descriptions in this book are for reference purposes only and in no way indicate these parts are manufactured by original manufacturer.



Other catalogs available

BERGOR

Parts catalog
Elgin® Whirlwind®

1-800-363-8218

BERGOR

PARTS SELECTION GUIDE
JOHNSTON® 600® - 605® 610®
VT650® - 3000 - 4000 SERIES

1-800-363-8218

BERGOR

PARTS SELECTION GUIDE
SEWER AND CATCH-BASIN CLEANERS

1-800-363-8218

1-800-363-8218

Tube brooms
Gutter brooms
Sectional brooms
For :

TYMCO[®]
JOHNSTON[®]
BUCHER[®]
ELGIN[®]
SWEEPRITE[®]
SUNVAC[®]
WAYNE[®]
MOBIL[®]
SCHWARZE[®]

Also for :

TENNANT[®]
ADVANCE[®]
AMERICAN LINCOLN[®]
POWER BOSS[®]
FACTORY CAT[®]



1-800-363-8218

www.bergor.ca
info@bergor.ca
FAX 450-510-2075

